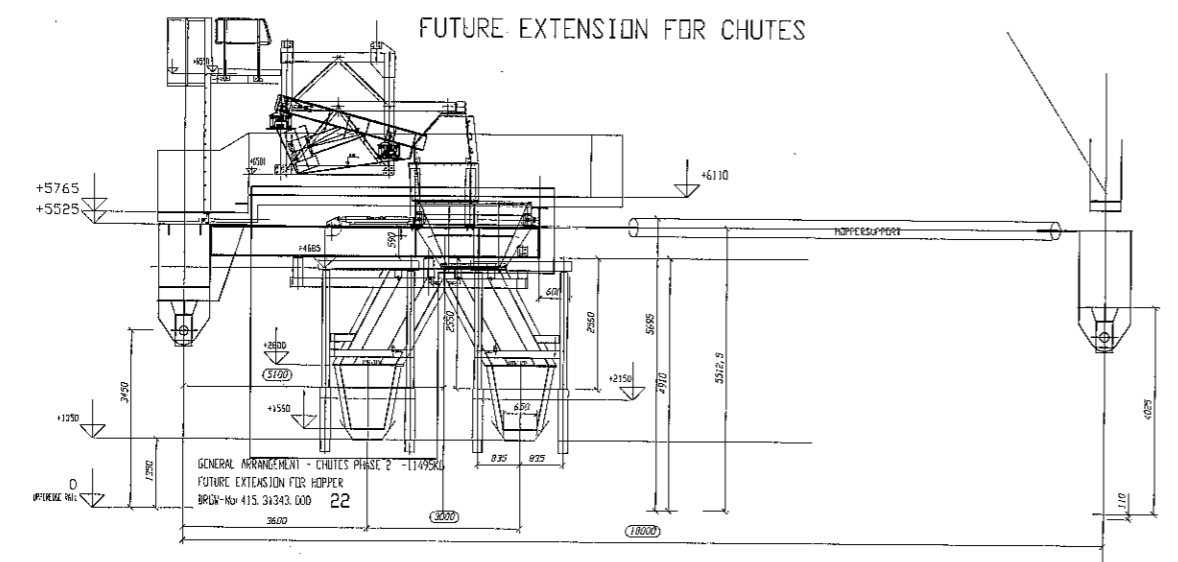
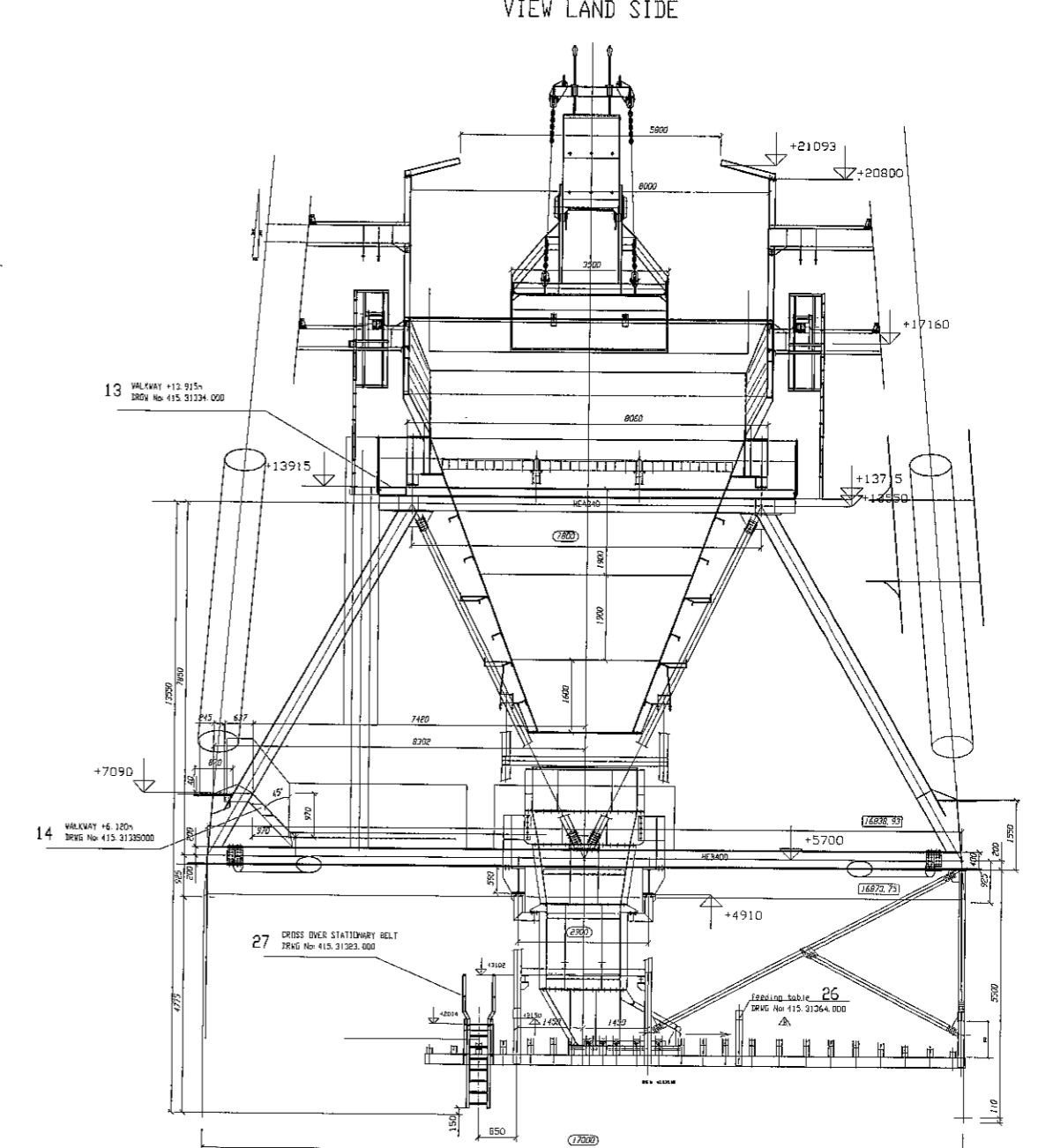
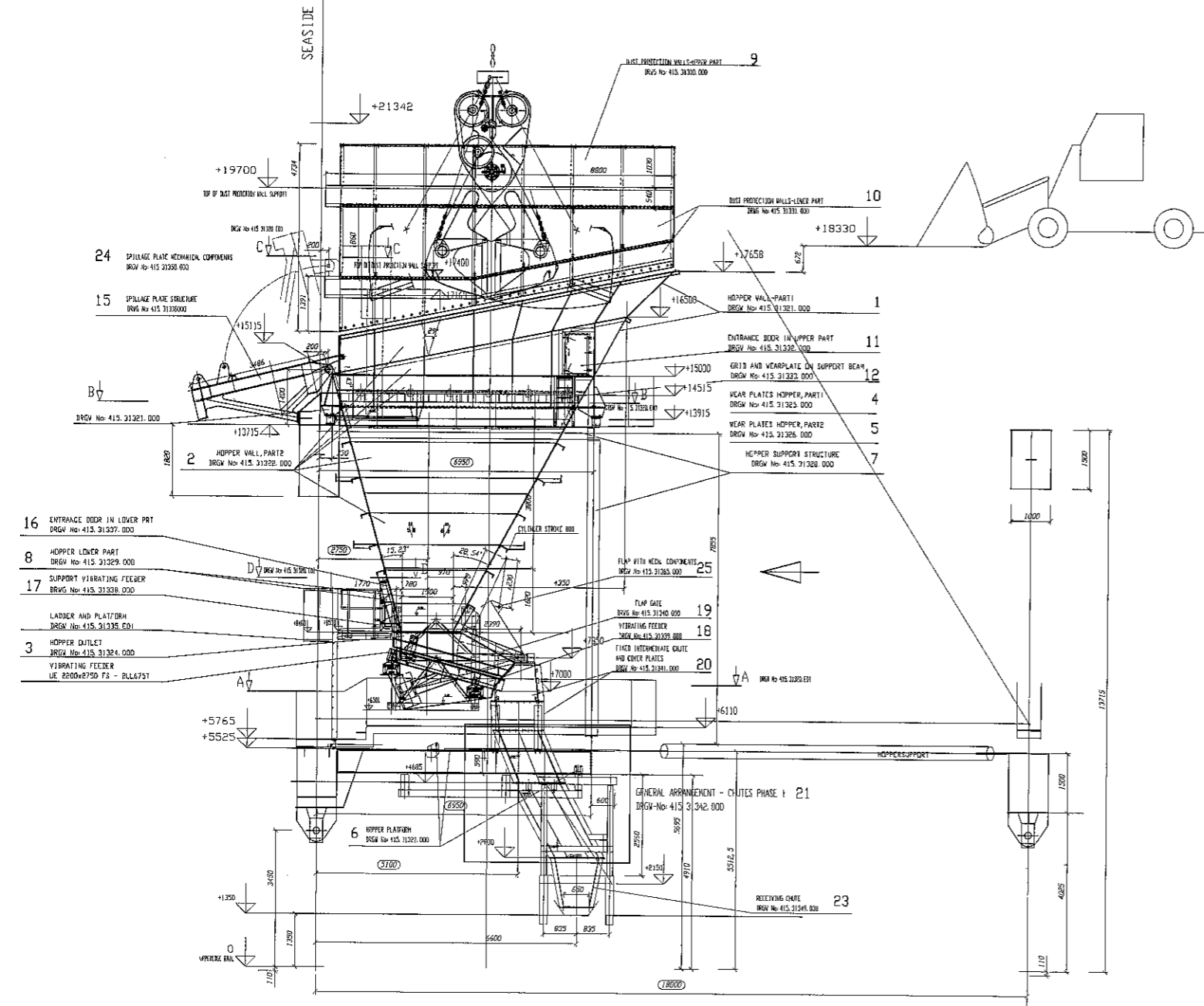


VIEW LAND SIDE



DIMENSIONAL TOLERANCES unless otherwise specified											
Symbol	Material	ASME Y14.5	ISO 2768	ISO 2768	ISO 2768	ISO 2768	ISO 2768	ISO 2768	ISO 2768	ISO 2768	ISO 2768
±0.125	Steel	M2	M3	M4	M5	M6	M8	M10	M12	M16	M20
±0.250	Aluminum	M2	M3	M4	M5	M6	M8	M10	M12	M16	M20

REV	DATE	DESCRIPTION
C	11.03.01	Rev 27 added
B	08.00	Rev 26
A	08.00	Rev 25

NO.	DATE	DESCRIPTION
1	08.00	Rev 24
2	08.00	Rev 23
3	08.00	Rev 22
4	08.00	Rev 21
5	08.00	Rev 20
6	08.00	Rev 19
7	08.00	Rev 18
8	08.00	Rev 17
9	08.00	Rev 16
10	08.00	Rev 15
11	08.00	Rev 14
12	08.00	Rev 13
13	08.00	Rev 12
14	08.00	Rev 11
15	08.00	Rev 10
16	08.00	Rev 9
17	08.00	Rev 8
18	08.00	Rev 7
19	08.00	Rev 6
20	08.00	Rev 5
21	08.00	Rev 4
22	08.00	Rev 3
23	08.00	Rev 2
24	08.00	Rev 1

RELEASED FOR MANUFACTURING

Date: 05.06.2001

Signature: V. Zoritsch

Checked: V. Zoritsch

Drawn: V. Zoritsch

Scale: 1:50

Material: Steel

Weight: 90399.6 kg

Sheet 1 of 2

415.31328.000

C 0